



## ADARTNE

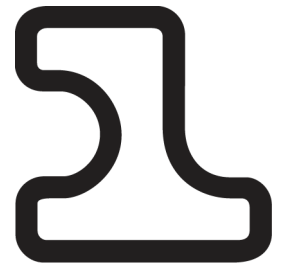
DESIGN: NATALIE BUIJS, 2007 / 2013



~ WHO'S AFRAID OF A LITTLE EXPRESSION? ~

Combine your favourite material with matching colours for the frame and embroidery. With bold contrasts or restrained beauty. You can do it all with Adartne from Leolux: youthful and colourful design for an austere interior, as expressive as you want it to be.

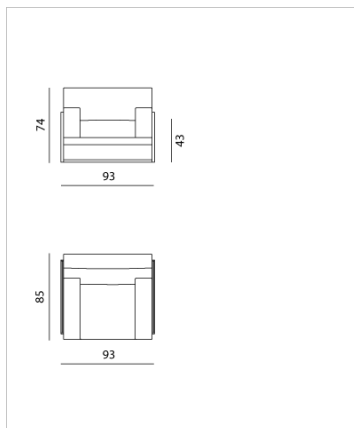
- Armchair, 2- and 2.5-seat sofa or footstool (2 sizes).
- Frame lacquered or in polished stainless steel.
- You gear the “Dashes” embroidery to the lacquer colour.
- Perfect balance



# ADARTNE

DESIGN: NATALIE BUIJS, 2007 / 2013

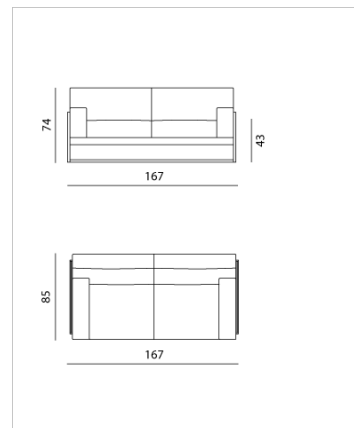
## Adartne - armchair



### Dimensions (cm)

Width: 85  
 Length: 93  
 Height: 74  
 Seat width: 50  
 Seat depth: 55  
 Seat height: 43  
 Back height: 40  
 Arm height: 15

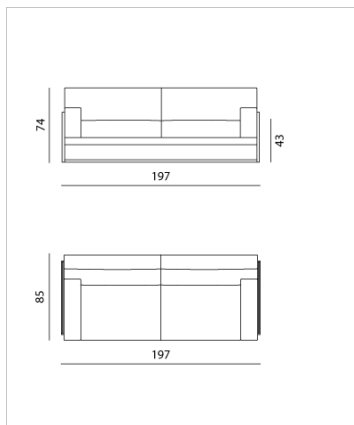
## Adartne - sofa 2-seater



### Dimensions (cm)

Width: 85  
 Length: 167  
 Height: 74  
 Seat width: 124  
 Seat depth: 55  
 Seat height: 43  
 Back height: 40  
 Arm height: 15

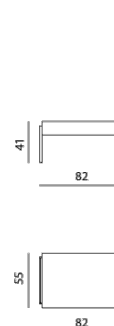
## Adartne - sofa 2,5-seater



### Dimensions (cm)

Width: 85  
 Length: 197  
 Height: 74  
 Seat width: 154  
 Seat depth: 55  
 Seat height: 43  
 Back height: 40  
 Arm height: 15

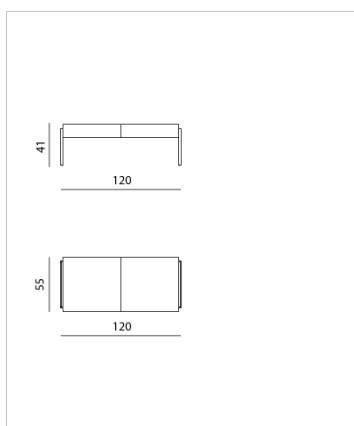
## Adartne - footstool 82x55 cm



### Dimensions (cm)

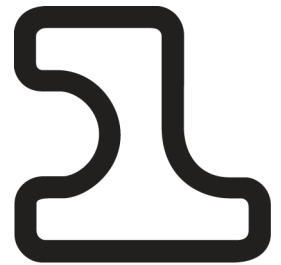
Width: 55  
 Length: 82  
 Height: 41

## Adartne - footstool 120x55 cm



### Dimensions (cm)

Width: 55  
 Length: 120  
 Height: 41



## ADARTNE

DESIGN: NATALIE BUIJS, 2007 / 2013

### Body

Solid beech and sheet material

### Springing, seat

Hard steel springs

### Springing, footstool

Hard steel springs

### Frame

Standard: Steel, finished in all Leolux epoxy, Spruzza and Cristallo colours

Option (additional charge: Polished stainless steel)

### Foot caps

Plastic gliding caps, colour transparent

### Embroidery/stitching

This model comes with the 'Dashes' embroidery.

### Filling

Top side seat: 11 cm HR foam, sg 50 kg/m<sup>3</sup>, covering Leoskin

Top side seat, footstool: 5 cm HR foam, sg 50 kg/m<sup>3</sup>, covering Leoskin

Front side back: 12 cm HR foam, sg 25 kg/m<sup>3</sup>, covering Leoskin

Top side back: 2 cm HR foam, sg 25 kg/m<sup>3</sup>, covering Leoskin

Top side arm: 4 cm HR foam, sg 43 kg/m<sup>3</sup>, covering Leoskin

Inside arm: 2.5 cm HR foam, sg 43 kg/m<sup>3</sup>, covering Leoskin

Outside Body: 1 cm polyether sg 20 kg/m<sup>3</sup>

### Special features

Due to the optically light frame, Adartne seems to hover and it can also be applied in smaller rooms. The colour of the embroidery needs to be geared to the colour of the lacquered frame.

---