

# NOBI

Metis Lighting, 1992

In floor, wall and suspension versions, Nobi guarantees total practicality for innovative elegant design. The two bowl-shaped glass discs are held in position by a system of tiny springs and fastened to the metal frame by two pins. In this way the diffuser rotates on itself, directing its halogen beam as required.



## RELATED PRODUCTS



### NOBI

*Floor Lamp*

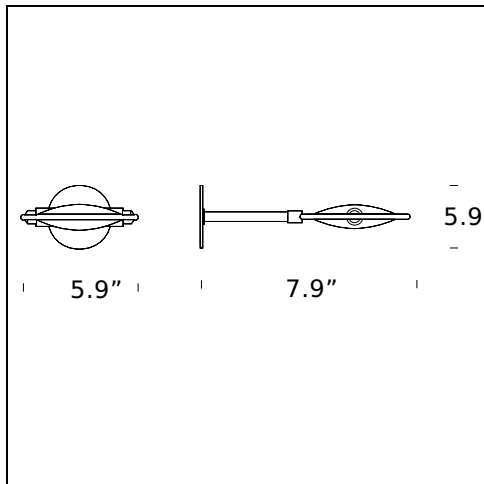


### NOBI

*Suspension Lamp*

## TECHNICAL SHEET

Wall lamp. Matte white BI (RAL 9003 matt), chromed CR or nickel-plated satined NS metal frame. Frosted glass diffusers. Anodized aluminium reflectors for indirect beam and spacer for electrical connections are also available.



**MODEL NAME:** Nobi

**CODE:** UL3023..

**DIMENSION:**  $\varnothing$  5.9"  $\times$  7.9"  $\times$  5.9"

**MATERIALS:** Glass, metal

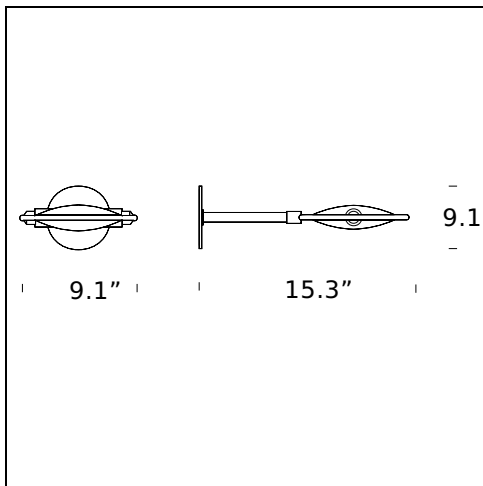
### COLORS

- Chrome-Plated
- Nickel-Plated - RAL Code: RAL 9006 Matt
- White

**LIGHTING SOURCE:** 1 $\times$ 150W (HA) T3/S Double Ended R7s - short

### CERTIFICATIONS AND SYMBOLS:





**MODEL NAME:** Nobi

**CODE:** UL3356..

**DIMENSION:**  $\varnothing$  9.1"  $\times$  15.3"  $\times$  9.1"

**MATERIALS:** Glass, metal

**COLORS**

- Chrome-Plated
- Nickel-Plated - RAL Code: RAL 9006 Matt

**LIGHTING SOURCE:** 1 $\times$ 300W (HA) T3/L Double Ended R7s - long

**CERTIFICATIONS AND SYMBOLS:**



Subject to technical modifications and modifications to content