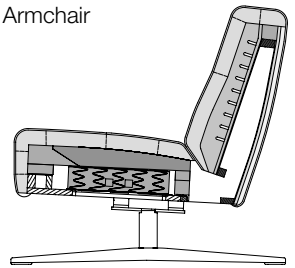


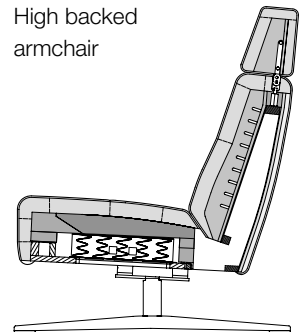


- // Wooden inner frame
- // Elastic webbing
- // Coil spring unit
- // Seat in high-quality cold foam, covered with a downy-soft mat worked into ticking chambers and filled with foam rods and polyester fibres
- // Back made of polyurethane foam, covered with a mat to achieve a down-like effect, which has chambers worked into it and is filled with foam rods and polyester fibres
- // Star base 360° swivel mechanism optionally
  - » painted traffic black RAL 9017
  - » matt chrome
  - » gloss chrome
- // The armchair can be fitted with a rocking function.

Armchair



High backed armchair



**ONLY FOR HIGH BACKED ARMCHAIRS**

- // Headrest in polyurethane, covered with a downy-soft mat worked into ticking chambers and filled with foam rods and polyester fibres
- // Steplessly adjustable headrest, tilt action

▮ Wave formation and depressions in the seat area are unavoidable, due to  
 ▮ comfort and design reasons, even in high quality Rolf Benz upholstered furniture.  
 All measurements are approximate.

Armchair

High backed armchair

Footstool

